

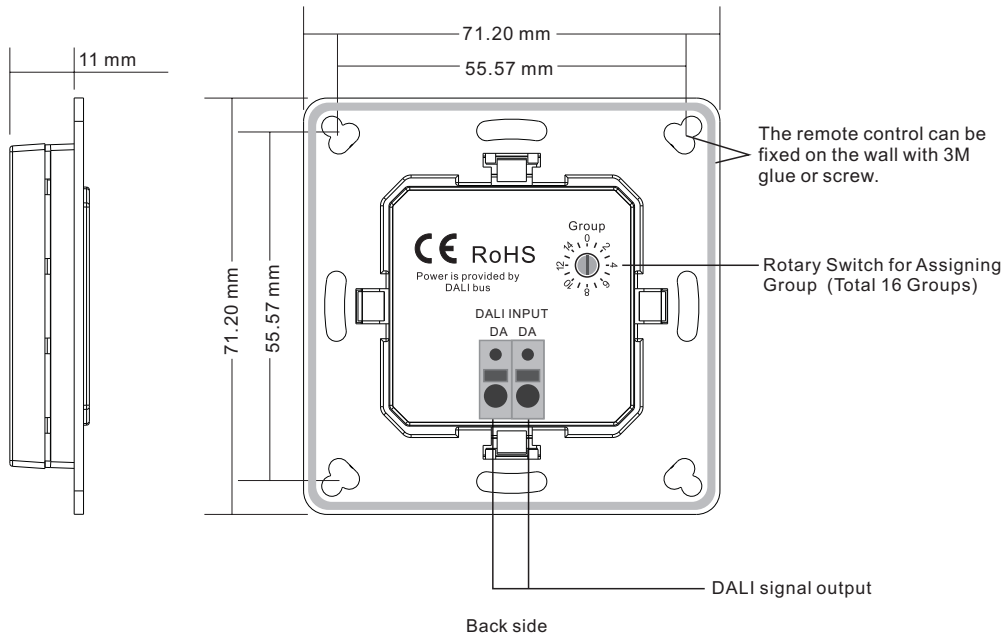
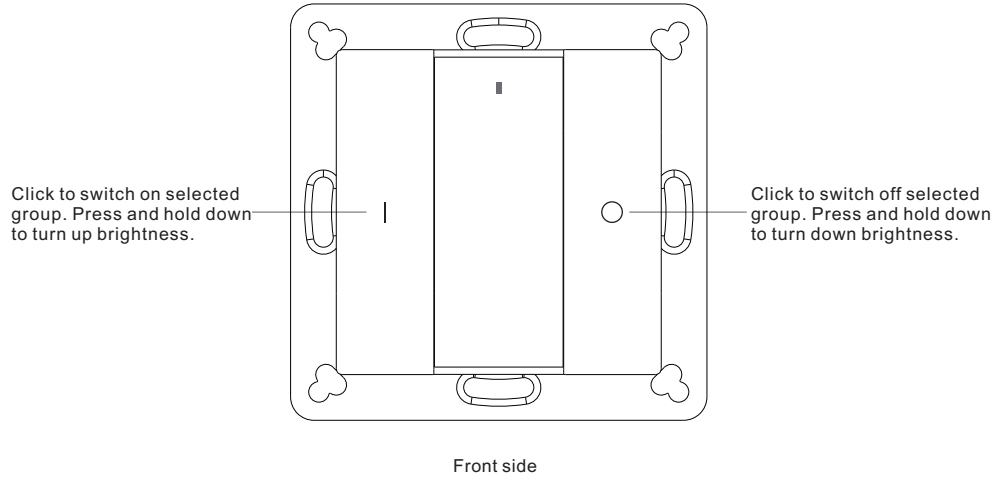
Push Button Single Color DALI Controller

09.2402K2D.04758



Important: Read All Instructions Prior to Installation

Function introduction

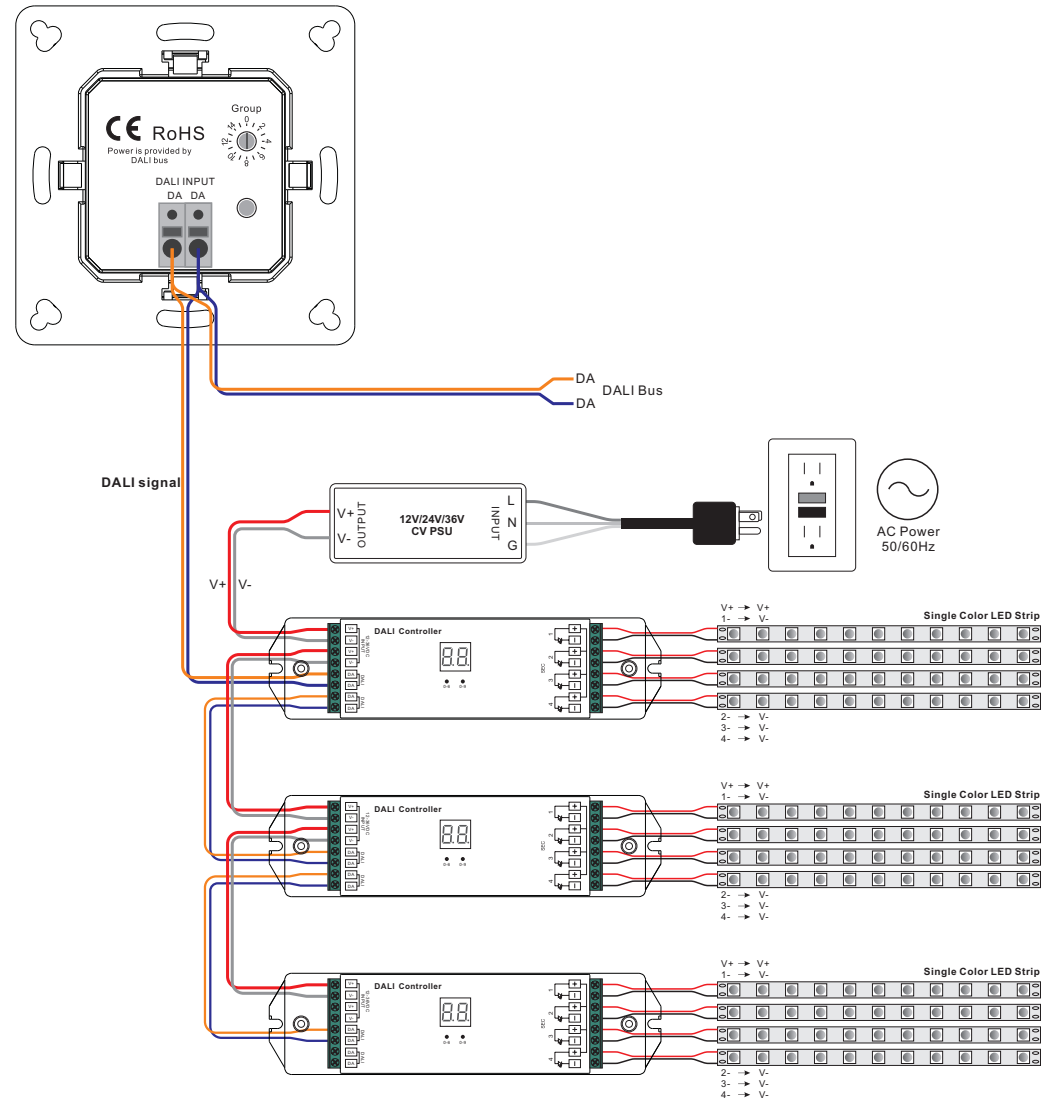


Product Data

Output	DALI signal
Power Supply	Supply By DALI Bus
Operation Current	4mA
Operating temperature	0-40°C
Relative humidity	8% to 80%
Dimensions	71.2x71.2x13.6mm

- DALI DT6 push button controller
- DALI bus powered, no extra power supply required
- Each channel DALI bus can install multiple controllers
- Enables to select and control 1 DALI group from total 16 DALI groups
- Compatible with universal 55mm frames
- Waterproof grade: IP20

Wiring Diagram



Safety & Warnings

- DO NOT installed with power applied to device.
- DO NOT expose the device to moisture.

Operation

1. Do wiring according to connection diagram correctly.

2. Set starting Group number via rotary switch on the back: (0-15 selectable)

- This DALI push button controller enables dimming commands to be sent to one Group of devices on the DALI circuit. A rotary switch on the back is used to select the DALI Group you would like to control and set the starting Group number, and total 16 Groups (0-15) can be selected.
- When the rotary switch arrow position is at 0, the controller controls all devices on DALI circuit through broadcast.
- When the rotary switch arrow position is at X except 0 (1-15), the controller controls DALI Group X-1.

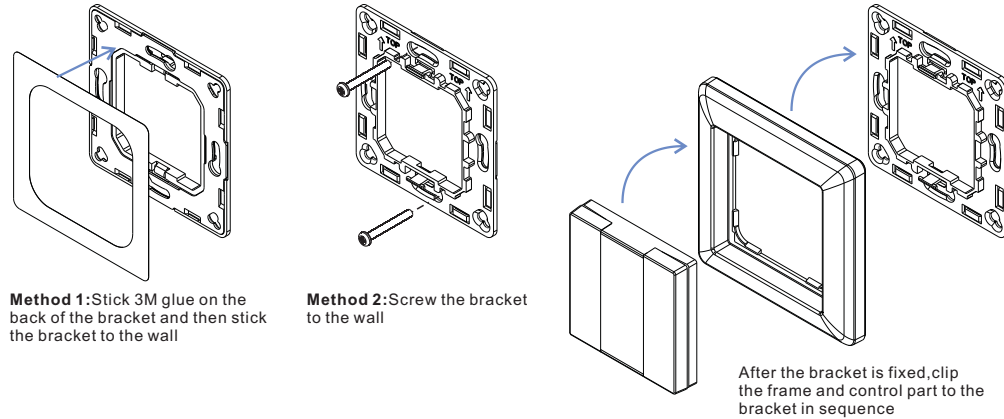
For example: Rotary switch arrow at 1, the controller controls DALI Group 0. Rotary switch arrow at 15, the controller controls DALI Group 14.

Please refer to the detailed Group setting table as follows:

Rotary Switch Position	0	1	2	3	4	5	6	7	8	9	10	11	12	13	14	15
DALI Group Selected	Broadcast	0	1	2	3	4	5	6	7	8	9	10	11	12	13	14

Note: please assign the devices on DALI circuit to a DALI group(0-15) with DALI master controller first.

Installation



Mounting

The key part of this controller is a universal, standard switch element that can be integrated in numerous frames by different manufactures as below list:

BEKER	S1, B1, B3, B7 glass
GIRA	Standard55, E2, Event, Esprit
JUNG	A500, Aplus
MERTEN	M-smart, M-Arc, M-Plan